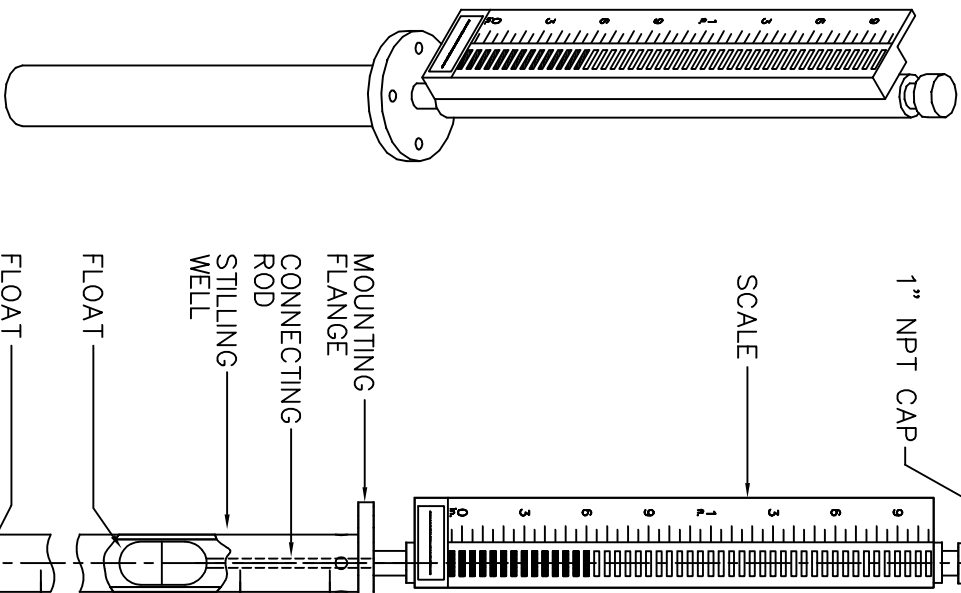


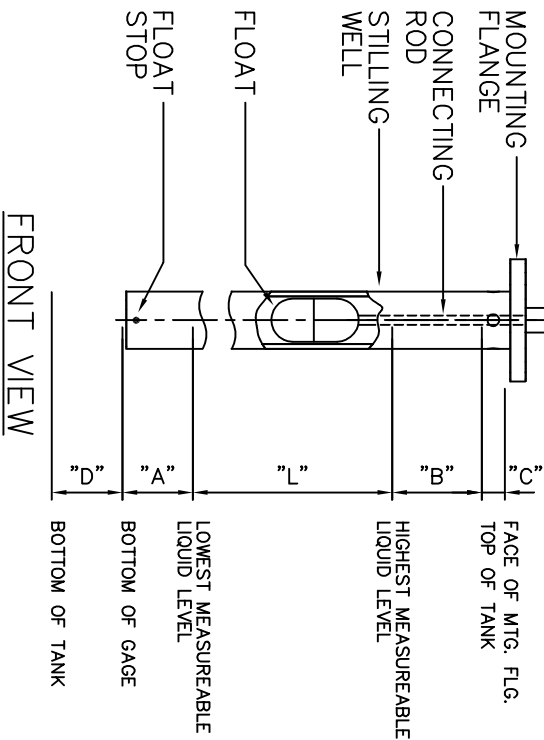
TYPE E GAGE w/ STILLING WELL



A: MIN. 8" (*NOM.)
 B: BY CUSTOMER
 C: BY CUSTOMER
 D: MIN. 2"
 L: ML

NOTES:

1. TANK BOTTOM (A+D) WILL NOT BE VISIBLE.
2. (A+D) DIM. TO BE A MIN. OF 10.0" - ADVISE IF SCALE IS TO START AT ZERO OR (A+D) DIMENSION.
3. HORIZONTAL TANK FLOW WILL REQUIRE A STILLING WELL.
4. SIZE AND PIPE SCH OF NOZZLE MUST BE KNOWN - BY CUSTOMER



FRONT VIEW

* "A" DIM CAN VARY BASED ON SERVICE CONDITIONS.

NOTES:

SPECIFY EACH OF THE FOLLOWING

- CHAMBER MATERIAL w/ CS FLANGES? YES NO
- = 1" (CENTER TO CENTER) DIM.
- = PROCESS CONNECTION SIZE
- = PROCESS CONNECTION RATING
- = VENT
- = DRAIN
- = FLUID TYPE
- = MIN. OPERATING SPECIFIC GRAVITY
- = MAX. OPERATING TEMPERATURE (°F)
- = MAX. OPERATING PRESSURE (PSIG)
- = TAG NO.

INDICATOR TYPE:

- RED / SILVER FLIPPERS (STD.)
- YELLOW / BLACK FLIPPERS (OTHERS AVAILABLE)
- FLUORESCENT ORANGE FOLLOWER

SCALE / FOLLOWER INDICATION:

- FEET / INCHES WITH 1/2" DIVISIONS (STD.)
- METRIC (CENTIMETERS WITH 1 MM DIVISIONS)
- 0-100%

ACCESSORIES:

TRANSMITTER:

- LT1 REED TYPE (NO PROTOCOL)
- LTM200D OR LTM300 MAGNETOSTRICTIVE (30FT MAX. LENGTH)
- (CHECK TRANSMITTER OPTIONS AVAILABLE FOR LTM200D OR LTM300)
- TOP OR BTM (A=16") CONNECTED ELECTRONIC HOUSING
- FACTORY MUTUAL CSA OR ATEX APPROVAL
- LCD INDICATOR (STD)
- HART OR FOUNDATION FIELDBUS
- SWITCH (SPECIFY QTY):
 - MLS-3 (1 AMP, SPDT ALARM SWITCH w/O HOUSING)
 - MLS-3Ex (1 AMP, SPDT, C/W EXPLOSION PROOF HOUSING)
 - MLS-5Ex (5 AMP, DPDT, C/W EXPLOSION PROOF HOUSING)
 - MLS-10Ex (10 AMP, DPDT, C/W EXPLOSION PROOF HOUSING)
 - PS-2 (PNEUMATIC; 15-100 PSIG SUPPLY, C/W NEMA 4X HOUSING)



3902 Magnolia Rd., Pearland,
 Texas, 77584
 Tel: 281-488-0788
 Fax: 281-488-7080

DIMENSIONS & RFQ FOR E-GAGE w/FLIPPERS & STILLING WELL

CUSTOMER:

DRAWING NUMBER: LG-E-FSW-REV.0