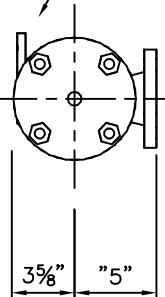
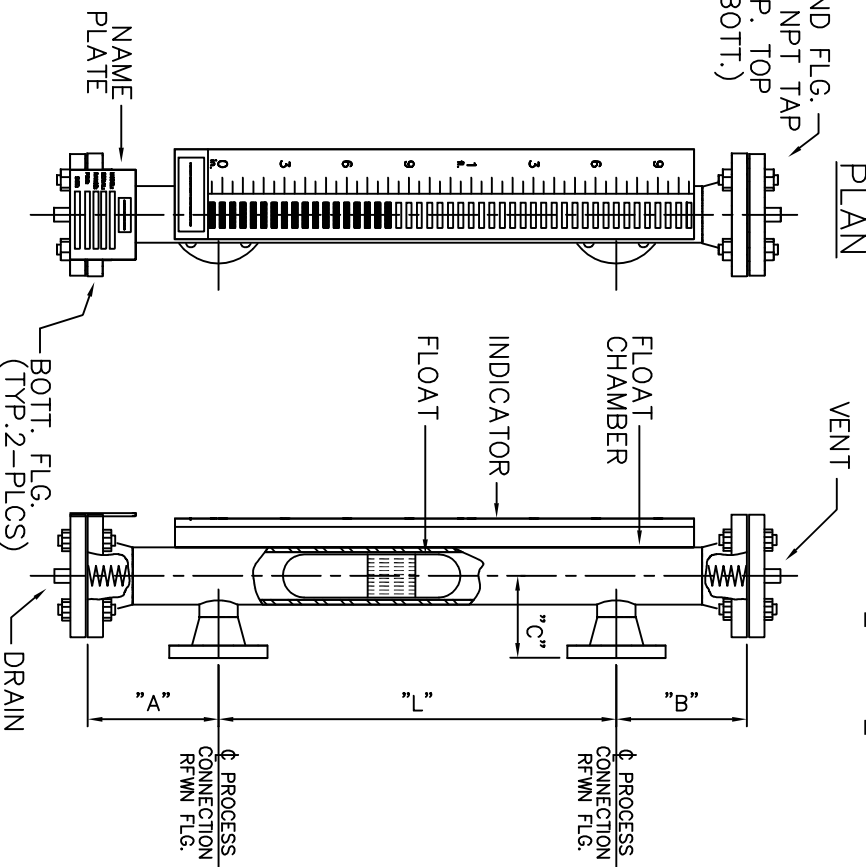
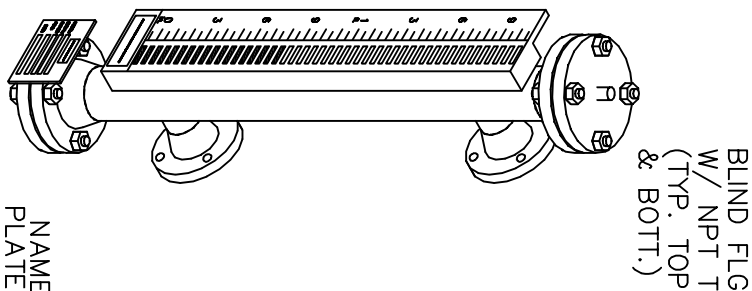


TYPE A/C GAGE - RFWN

SCALE ASSEMBLY CAN BE ROTATED AS REQUIRED



- A: 8"-16" (\*NOM.)
- B: 6"-8" (\*NOM.)
- C: 5" (\*\*NOM.)
- L:  $\phi$  to  $\phi$  DIM.



\* "A" AND "B" DIM CAN VARY BASED ON SERVICE CONDITIONS.  
 \*\* BASED ON FLOAT CHAMBER SIZE AND FLANGE RATING

NOTES:

SPECIFY EACH OF THE FOLLOWING

- = CHAMBER MATERIAL w/ CS FLANGES? YES  NO
- = 1" (CENTER TO CENTER) DIM.
- = PROCESS CONNECTION SIZE
- = PROCESS CONNECTION RATING
- = VENT
- = DRAIN
- = FLUID TYPE
- = MIN. OPERATING SPECIFIC GRAVITY
- = MAX. OPERATING TEMPERATURE (°F)
- = MAX. OPERATING PRESSURE (PSIG)
- = TAG NO.

INDICATOR TYPE:

- RED / SILVER FLIPPERS (STD.)
- YELLOW / BLACK FLIPPERS (OTHERS AVAILABLE)
- FLUORESCENT ORANGE FOLLOWER

SCALE / FOLLOWER INDICATION:

- FEET / INCHES WITH 1/2" DIVISIONS (STD.)
- METRIC (CENTIMETERS WITH 1 MM DIVISIONS)
- 0-100%

ACCESSORIES:

TRANSMITTER:

- LT1 REED TYPE (NO PROTOCOL)
- LTM200D OR LTM300 MAGNETOSTRICTIVE (30FT MAX. LENGTH)
- (CHECK TRANSMITTER OPTIONS AVAILABLE FOR LTM200D OR LTM300)
- TOP OR BTM (A=16") CONNECTED ELECTRONIC HOUSING
- FACTORY MUTUAL CSA OR ATEX APPROVAL
- LCD INDICATOR (STD)
- HART OR FOUNDATION FIELDBUS

SWITCH (SPECIFY QTY):

- MLS-3 (1 AMP, SPDT ALARM SWITCH W/O HOUSING)
- MLS-3EX (1 AMP, SPDT, C/W EXPLOSION PROOF HOUSING)
- MLS-5EX (5 AMP, DPDT, C/W EXPLOSION PROOF HOUSING)
- MLS-10EX (10 AMP, DPDT, C/W EXPLOSION PROOF HOUSING)
- PS-2 (PNEUMATIC; 15-100 PSIG SUPPLY, C/W NEMA 4X HOUSING)



3902 Magnolia Rd., Pearland, Texas, 77584  
 Tel: 281-488-0788  
 Fax: 281-488-7080

DIMENSIONS & RFQ FOR LG-TYPE-AC GAGE/RFWN

CUSTOMER:

DRAWING NUMBER: LG-A/C-RFWN-REV.0