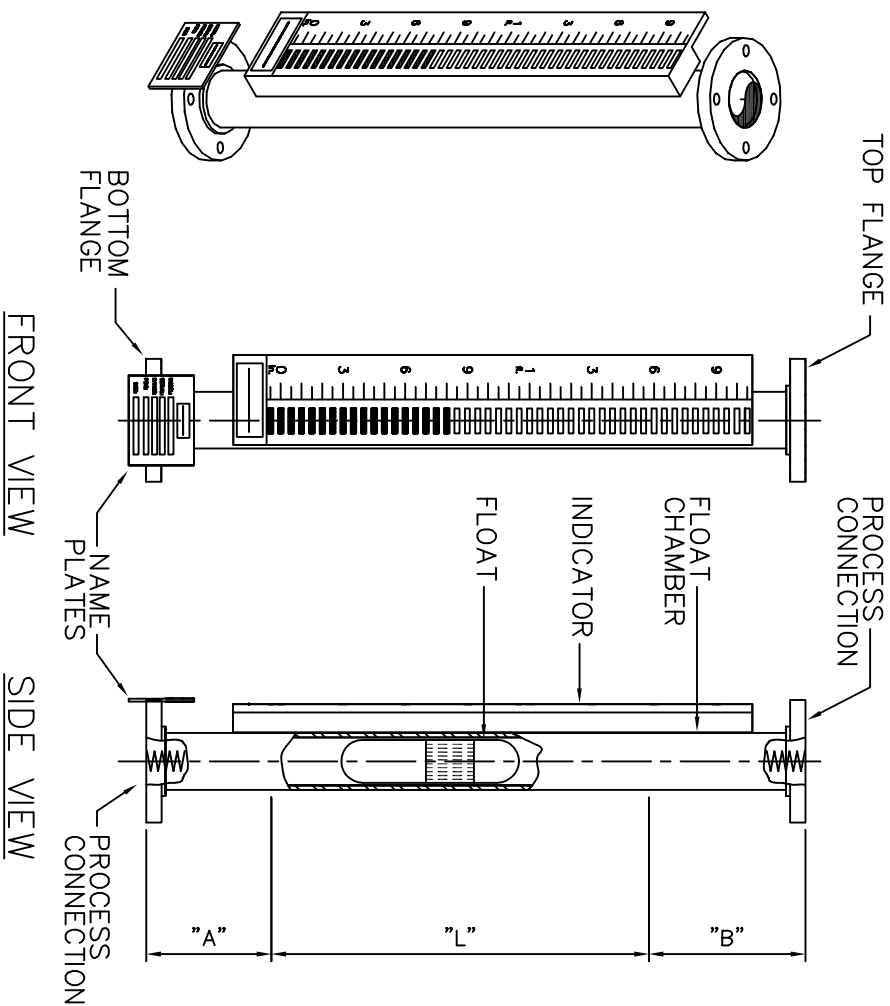


TYPE A GAGE - RFSO

A: 8"-16" (*NOM.)
 B: 6"-8" (*NOM.)
 L: ϕ to ϕ DIM.



* "A" AND "B" DIM CAN VARY BASED ON SERVICE CONDITIONS.

NOTES:

SPECIFY EACH OF THE FOLLOWING

= CHAMBER MATERIAL w/ CS FLANGES? YES NO
 = 1" (CENTER TO CENTER) DIM.
 = PROCESS CONNECTION SIZE
 = PROCESS CONNECTION RATING
 = VENT
 = DRAIN
 = FLUID TYPE
 = MIN. OPERATING SPECIFIC GRAVITY
 = MAX. OPERATING TEMPERATURE (°F)
 = MAX. OPERATING PRESSURE (PSIG)
 = TAG NO.

INDICATOR TYPE:

RED / SILVER FLIPPERS (STD.)
 YELLOW / BLACK FLIPPERS (OTHERS AVAILABLE)
 FLUORESCENT ORANGE FOLLOWER

SCALE / FOLLOWER INDICATION:

FEET / INCHES WITH 1/2" DIVISIONS (STD.)
 METRIC (CENTIMETERS WITH 1 MM DIVISIONS)
 0-100%

ACCESSORIES:

TRANSMITTER:

LT1 REED TYPE (NO PROTOCOL)
 LTM200D OR LTM300 MAGNETOSTRICTIVE (30FT MAX. LENGTH)
 (CHECK TRANSMITTER OPTIONS AVAILABLE FOR LTM200D OR LTM300)
 TOP OR BTM (A=16") CONNECTED ELECTRONIC HOUSING
 FACTORY MUTUAL CSA OR ATEX APPROVAL
 LCD INDICATOR (STD)
 HART OR FOUNDATION FIELDBUS

SWITCH (SPECIFY QTY):

MLS-3 (1 AMP, SPDT ALARM SWITCH W/O HOUSING)
 MLS-3Ex (1 AMP, SPDT, C/W EXPLOSION PROOF HOUSING)
 MLS-5Ex (5 AMP, DPDT, C/W EXPLOSION PROOF HOUSING)
 MLS-10Ex (10 AMP, DPDT, C/W EXPLOSION PROOF HOUSING)
 PS-2 (PNEUMATIC; 15-100 PSIG SUPPLY, C/W NEMA 4X HOUSING)



3902 Magnolia Rd., Pearland,
 Texas, 77584
 Tel: 281-488-0788
 Fax: 281-488-7080

DIMENSIONS & RFQ FOR LG-TYPE-A RFSO

CUSTOMER:

DRAWING NUMBER: LG-A-RFSO-REV.0